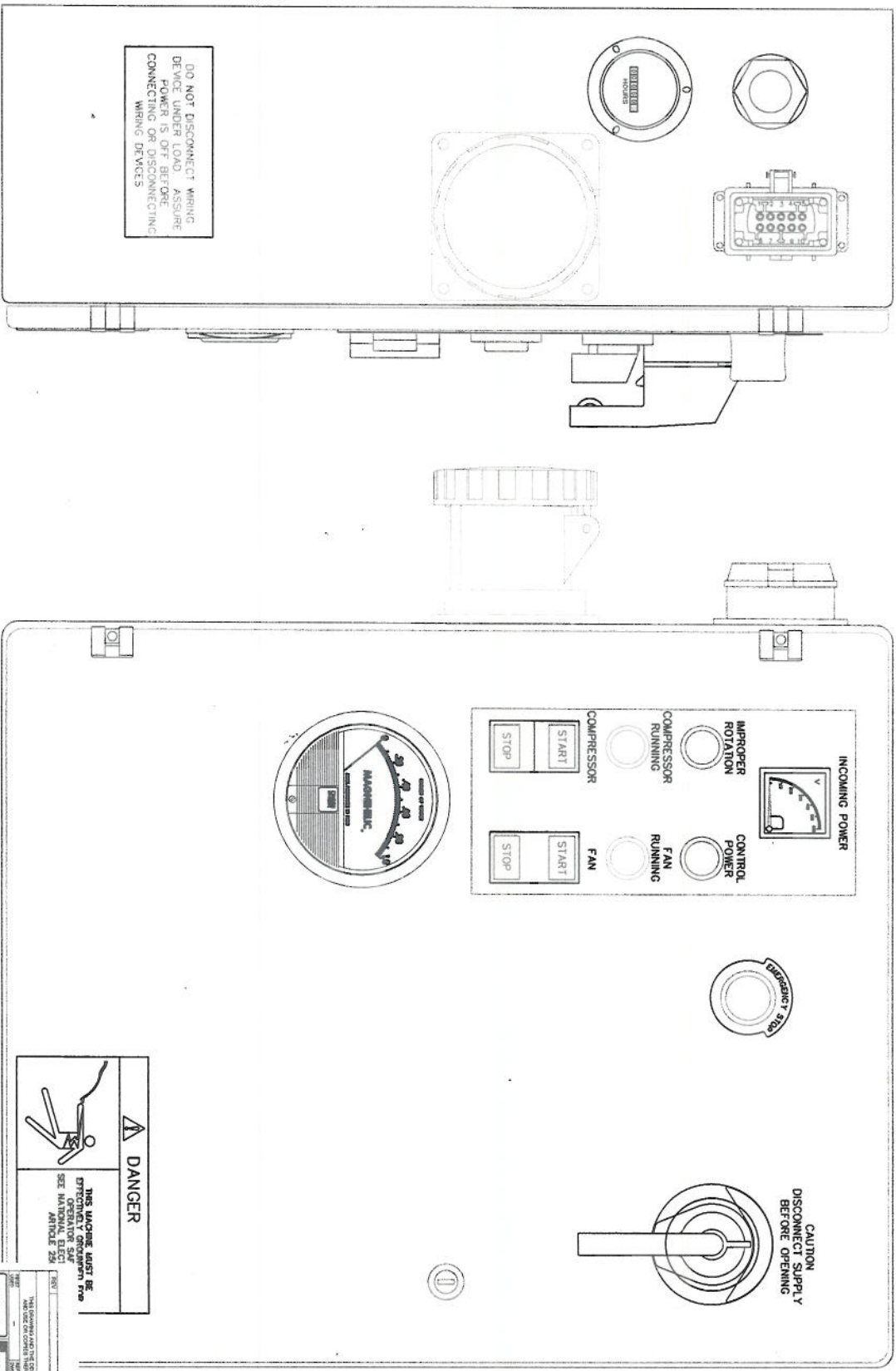


BLASTRAC 6-54 GLOBAL DUST COLLECTOR CONTROL PANEL FOR 230/400/480V - 50/60 HZ
W/ AUTO VOLTAGE SETUP AND PHASE ROTATION VERIFICATION

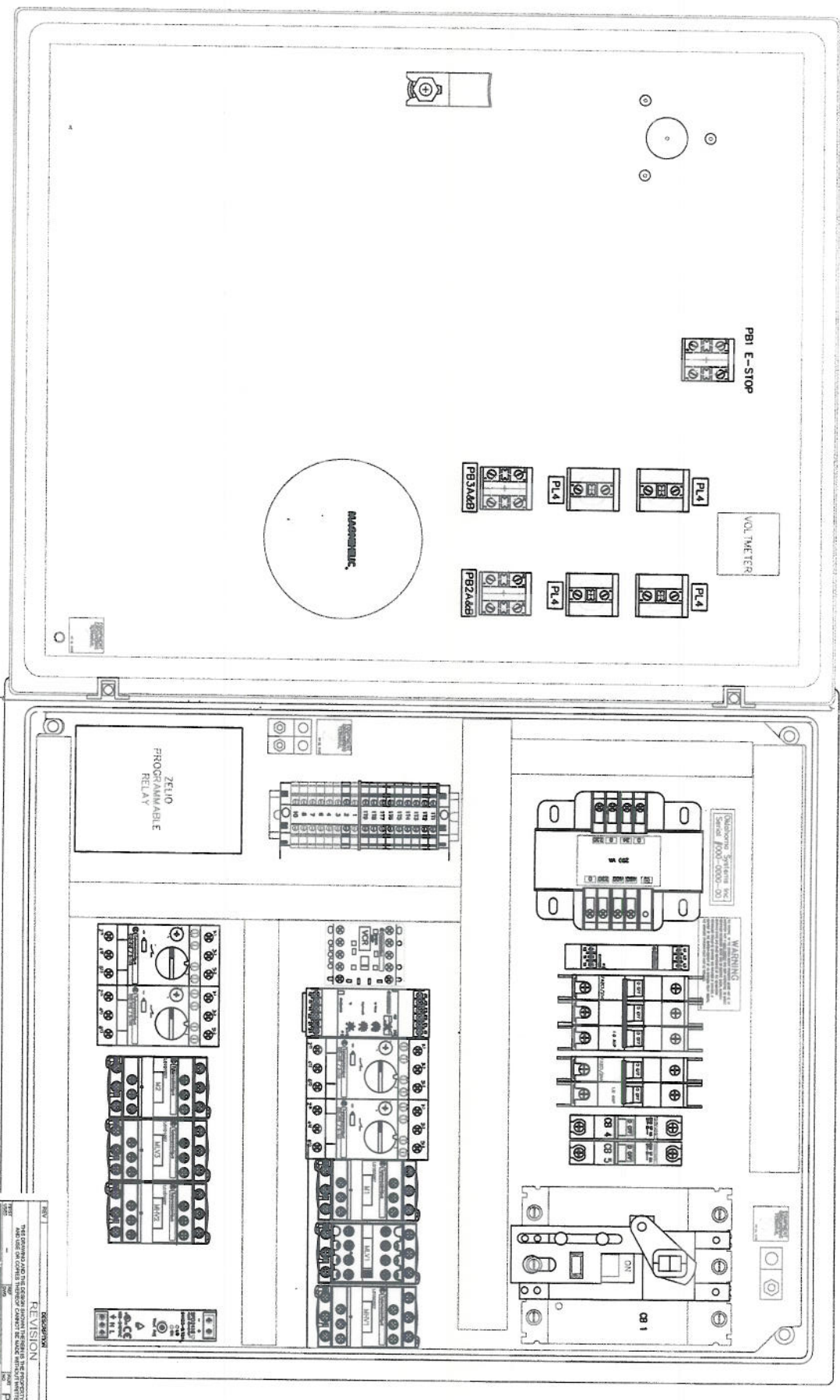


REVISIONS		DATE	BY
1	REVISED		

<p>THIS DRAWING AND THE SERIAL NUMBER THEREON ARE THE PROPERTY OF BLASTRAC. NO PART OF THIS DRAWING OR SERIAL NUMBER IS TO BE REPRODUCED OR TRANSMITTED IN ANY FORM OR BY ANY MEANS, ELECTRONIC OR MECHANICAL, INCLUDING PHOTOCOPYING, RECORDING, OR BY ANY INFORMATION STORAGE AND RETRIEVAL SYSTEM.</p>	<p>REVISED</p>
---	----------------

<p>THOMAS VALVES DIVISION</p>	<p>BLASTRAC</p>
<p>MODEL: 6-54 SIZE: 60" DIA. MATERIAL: 304 SS</p>	<p>ENCLOSURE LAYOUT REVISED: 10/2004</p>
<p>DATE: 10/2004</p>	<p>BY: J. J. JONES</p>
<p>SCALE: 1" = 1'-0"</p>	<p>APP: 10/2004</p>
<p>PROJECT: 00000000</p>	<p>REV: 3 OF 4</p>
<p>10/2004</p>	<p>P005052</p>

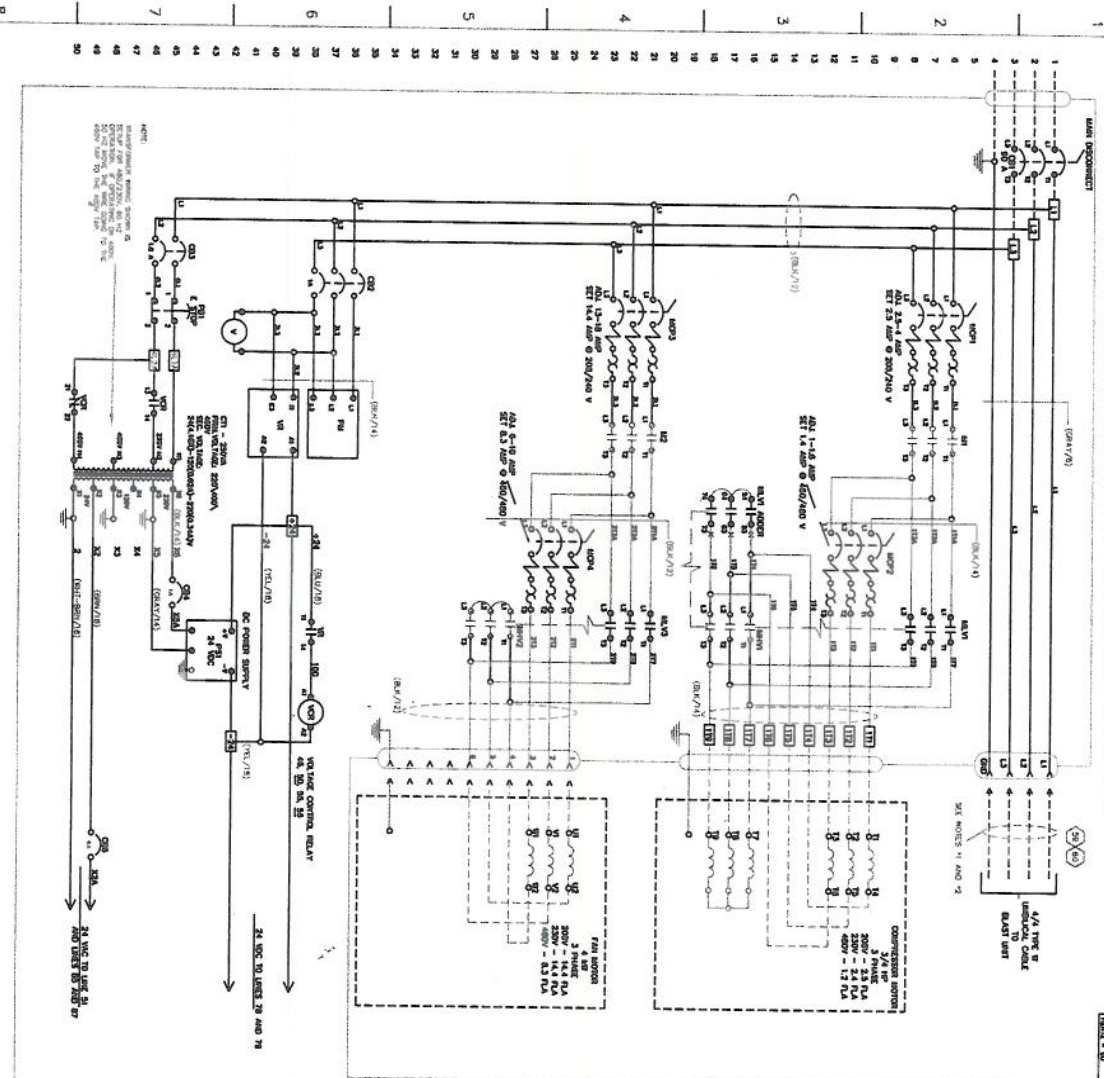
BLASTRAC 6-54 GLOBAL DUST COLLECTOR CONTROL PANEL FOR 230/400/480V - 50/60 HZ
 W/ AUTO VOLTAGE SETUP AND PHASE ROTATION VERIFICATION



REV	REVISION	DATE	BY
1	REVISED TO ADD 230V/480V/50/60HZ	10/10/10	JW

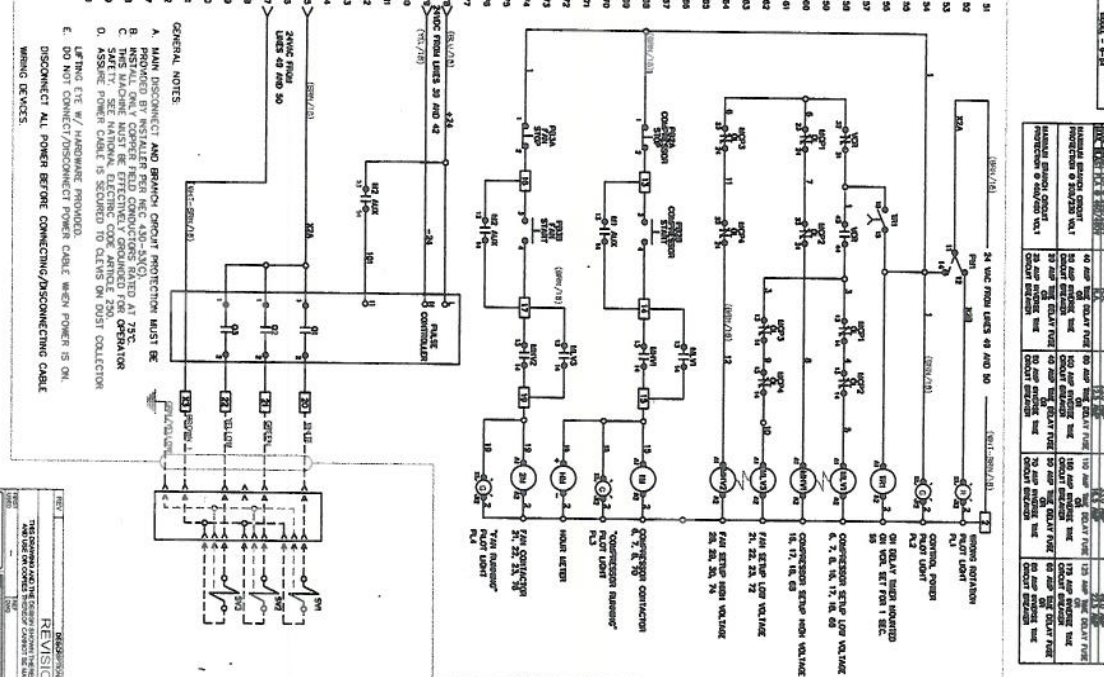
BLASTRAC 6-54DC-GLOBAL 50/60HZ PANEL LAYOUT P005052	THIS DRAWING AND THE DESIGN ARE THE PROPERTY OF BLASTRAC. NO PART OF THIS DRAWING OR DESIGN IS TO BE REPRODUCED OR TRANSMITTED IN ANY FORM OR BY ANY MEANS, ELECTRONIC OR MECHANICAL, INCLUDING PHOTOCOPYING, RECORDING, OR BY ANY INFORMATION STORAGE AND RETRIEVAL SYSTEM, WITHOUT THE WRITTEN PERMISSION OF BLASTRAC.
---	---

BLASTRAC 6-54 GLOBAL DUST COLLECTOR CONTROL PANEL FOR 230/400/480V - 50/60 HZ W/ AUTO VOLTAGE SETUP AND PHASE ROTATION VERIFICATION



WIRE GAUGE TABLE

WIRE SIZE	CROSS SECTIONAL AREA (SQ. MM)	AMPERE CAPACITY (AMP)	CONDUCTOR TYPE
14 AWG	2.08	15	THHN
12 AWG	3.31	20	THHN
10 AWG	5.26	30	THHN
8 AWG	8.37	40	THHN
6 AWG	13.3	55	THHN
4 AWG	21.1	75	THHN
3 AWG	26.7	90	THHN



WIRE AND EQUIPMENT SCHEDULE

NO.	DESCRIPTION	WIRE SIZE	CONDUCTOR TYPE	EQUIPMENT
1	24VDC MAIN DISCONNECT	14 AWG	THHN	DISCONNECT
2	CONTROL POWER	14 AWG	THHN	CONTROL RELAY
3	PHASE ROTATION RELAY	14 AWG	THHN	PHASE ROTATION RELAY
4	VOLTAGE CONTROL RELAY	14 AWG	THHN	VOLTAGE CONTROL RELAY
5	INTERLOCKING RELAY	14 AWG	THHN	INTERLOCKING RELAY
6	MOTOR 1	12 AWG	THHN	MOTOR
7	MOTOR 2	12 AWG	THHN	MOTOR
8	MOTOR 3	12 AWG	THHN	MOTOR
9	MOTOR 4	12 AWG	THHN	MOTOR
10	CONTROL POWER	14 AWG	THHN	CONTROL RELAY
11	PHASE ROTATION RELAY	14 AWG	THHN	PHASE ROTATION RELAY
12	VOLTAGE CONTROL RELAY	14 AWG	THHN	VOLTAGE CONTROL RELAY
13	INTERLOCKING RELAY	14 AWG	THHN	INTERLOCKING RELAY
14	MOTOR 1	12 AWG	THHN	MOTOR
15	MOTOR 2	12 AWG	THHN	MOTOR
16	MOTOR 3	12 AWG	THHN	MOTOR
17	MOTOR 4	12 AWG	THHN	MOTOR

- GENERAL NOTES:**
- MAIN DISCONNECT AND BRANCH CIRCUIT PROTECTION MUST BE PROVIDED BY INSTALLER PER NEC 430-58(C).
 - INSTALL ONLY COPPER FIELD CONDUCTORS RATED AT 75°C.
 - SAFETY: SEE HAZARD FIELD ELECTRICAL CONNECTIONS FOR OPERATOR.
 - ASSUME POWER CABLE IS SECURED TO CHAINS ON DUST COLLECTOR.
- LEaving ETC W/ HAZARDOUS PRODUCTS.
DISCONNECT ALL POWER BEFORE CONNECTING/DISCONNECTING CABLE WIRING DEVICES.

BLASTRAC
6-54DC-GLOBAL 50/60 HZ
AUTO VOLT SETUP/PHASE MONITOR
P005052

REVISION

DATE: 11/19/02

BY: [Signature]

FOR: [Signature]

GLOBAL 6-54DC DUAL VOLTAGE DUST COLLECTOR

BLASTRAC PN	DESCRIPTION
	RECEPTACLE, 60 AMP, 480 V, 3P+G PANEL MOUNT, IP67
717048	TERMINAL/ END BARRIER, KBL6-10 AND AP2.5-10 TERMINAL BLOCK
717049	TERMINAL/ ISOLATION PARTITION
717045	TERMINAL/ ES35, TERMINAL END STOP
717053	TERMINAL/ TERMINAL BLOCK, BLACK
717051	TERMINAL/ RK2.5-4/TERMINAL BLOCK, RED
717052	TERMINAL/ RK2.5-4/TERMINAL BLOCK, WHITE
P004988	CORD GRIP, 17-31mm (.665-1.22) CABLE DIA., M50x1.5, WITH LOCKNUT (7211 991). ALTECH P/N 5309750
	VOLTMETER, MODEL E242-48MM X 48MM SHORT SCALE MOVING IRON, AC VOLTMETER TERMINAL COVER AS STANDARD, SPEC. DIN STANDARD, RANGE. 0/600 VOLTS AC, SCALED. 0/600 VOLTS AC, FREQUENCY. 50/60 Hz
491837	GAUGE, DIFFERENTIAL PRESSURE, MAGNAHELIC, 0-10" H2O
	POWER SUPPLY, 24 VDC OUTPUT, 15 WATT
P003770	POWER SUPPLY, 24 VDC OUTPUT, 15 WATT
P000161	DIN RAIL, 35MM
691949	STRAIN RELIEF, DOUBLE EYELET, 1-1.25" CORD DIA
P000203	CIRCUIT BREAKER, 1.0 AMP, SINGLE POLE, TRIP CURVE C , 480/277 WYE, UL1077
	CIRCUIT BREAKER, 1.0 AMP, 3 POLE, UL489, TRIP CURVE C, 480/277 WYE, UL489
716814	CIRCUIT BREAKER, 6 AMP, SINGLE POLE, TRIP CURVE C, 480/277 WYE, UL1077
	CIRCUIT BREAKER, 1.0 AMP, 2 POLE, TRIP CURVE d, 480/277 WYE, UL489
P000323	SHACKLE, 3/8", SCREW PIN
	ENCLOSURE/MAIN BODY AND DOOR
	BACKPANEL
P001045	CONNECTOR, 1/2" 45 DEGREE
P002208	CONNECTOR, 1/2" 90 DEGREE, PMA
P001040	CONDUIT FLEX, 1/2" & PG16 (PER FOOT)
P000143	CONNECTOR, FEMALE, CAGE, 600V, 16A, 10 PIN
P000142	CONNECTOR, MALE, CAGE, 600V, 16A, 10 PIN
P000140	CONNECTOR, BULKHEAD, 600V, 16A, 10 PIN
P000141	CONNECTOR, HOOD, SIDE, PG 21, 600V, 16A, 10 PIN
P004989	HOUR METER WITH GASKET, 10-277 VDC/20-277 VAC
710015	VIBRATION MOUNT, 1 1/4" CONICAL W/ 5/16 - 18 STUDS
456550	MOUNT, CYLINDRICAL, 1" DIA X 1" LNG X 5/16-18 STUD EA END
P004224	MAIN DISCONNECT SWITCH OPERATOR MECHANISM
P004225	DISCONNECT, DOOR OPERATOR
P004226	DISCONNECT/SHAFT EXTENSION FOR DOOR OPERATOR
P004223	SWITCH/ MAIN DISCONNECT, CIRCUIT BREAKER, 600V, 90 AMP
	SWITCH/ MAIN DISCONNECT, CIRCUIT BREAKER, 600V, 60 AMP
	TRANSFORMER CONTROL 250VA, 230/400/480 X 230/120/24 SECONDARY
	SPLITTER BOX, 4 CHANNEL, M12, 4 AMP PER CHANNEL, 5 M CABLE
	RELAY/4 POLE. 2NO & 2NC, 24VDC LOW BURDEN COIL.
	TIMER, FRONT MOUNT, TIME DELAY 1-30SEC, 1 NO CONTACT
	BUS BAR, 45 PITCH
P004955	MOTOR PROTECTOR, -1.0 - 1.6 AMPS
P004885	MOTOR PROTECTOR, 2.5 - 4 AMPS
P004229	MOTOR PROTECTOR, 6-10 AMPS
P003743	MANUAL STARTER, 13-18 AMPS
P004815	AUX CONTACT, FRONT MOUNT, 2NO CONTACTS
P004893	CONTACTOR, MECHANICAL INTERLOCK
P004784	CONTACTOR, 9 AMP, 3 POLE, W/ 1 NO AND 1 NC CONTACT, 24VAC, 50/60HZ COIL
P004782	CONTACTOR, 18 AMP, 3 POLE W/ 1 NO AND 1 NC AUX, 24VAC, 50/60HZ COIL
P004805	RELAY, PHASE MONITOR FOR ROTATION AND PHASE LOSS, MAXIMUM OPERATING RANGE 183-528 VOLTS, 50/60 HZ

GLOBAL 6-54DC DUAL VOLTAGE DUST COLLECTOR

P004909	RELAY, VOLTAGE MEASUREMENT, DETECTS WHEN VOLTAGE EXCEEDS A PRE-SET THRESHOLD ON AN AC POWER SUPPLY, MEASUREMENT RANGE 0.05 - 600 VAC OR DC, 50/60 HZ. POWER SUPPLY 24-240 VAC OR DC, 50/60 HZ
	RELAY, PROGRAMMABLE, 24VAC, 4 RELAY OUT
	SOLENOID JUMPER CABLE, 1 METER, M12, 3 PIN STRAIGHT x DIN 43650A, ELBOW
P005004	SWITCH, CONSISTING OF, 1 EA SWITCH OPERATOR, E-STOP, 40MM HEAD, TRIGGER ACTION PUSH-PULL, MOUNTING COLLAR, CONTACT BLOCK, 2 - NC
P004857	PILOT LIGHT, GREEN, COMPLETE CONSISTING OF 1 - LED MODULE, GREEN, 24-120 VAC/DC, MOUNTING COLLAR, AND 1 - GREEN LENS, FOR LED ONLY
P004858	PILOT LIGHT, RED COMPLETE CONSISTING OF LED MODULE, RED, 24-120 VAC/DC, MOUNTING COLLAR, AND 1 - PILOT LIGHT HEAD, RED LENS, FOR LED ONLY
P005005	SWITCH CONSISTING OF, SWITCH, DOUBLE PUSHBUTTON, 1 - GREEN FLUSH MARKED "I" AND 1 - RED MARKED "I", MOUNTING COLLAR, CONTACT BLOCK, 1 - NC, CONTACT BLOCK, 1 - NO
P000332	WIRE, 4 AWG, 4 CONDUCTOR, TYPE W, 75 FOOT LENGTH